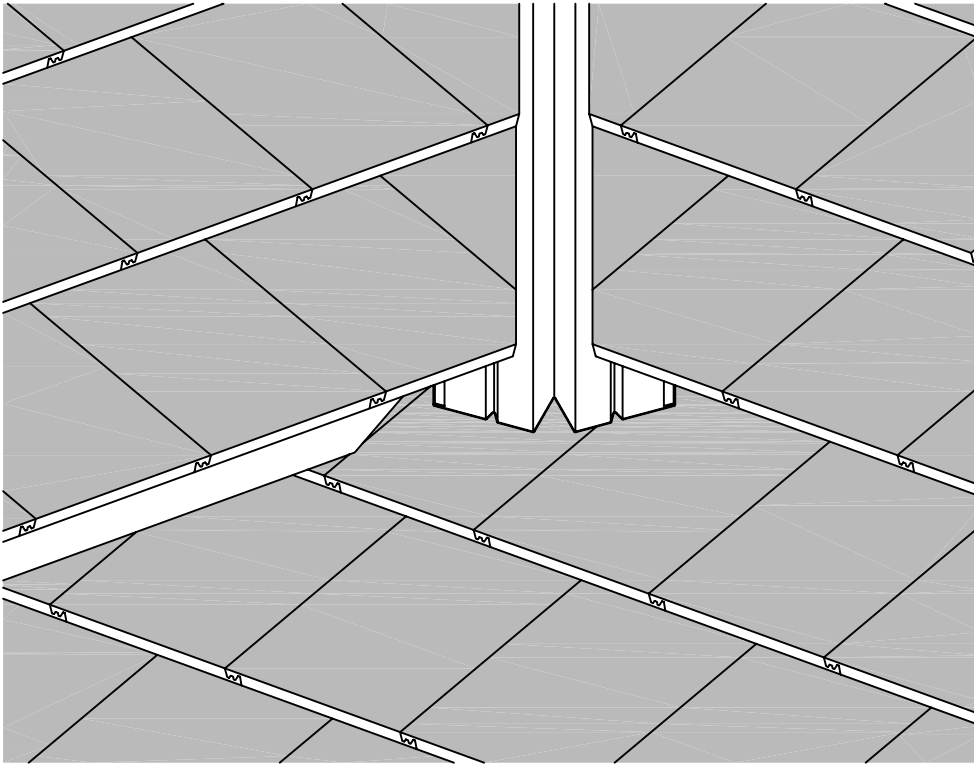
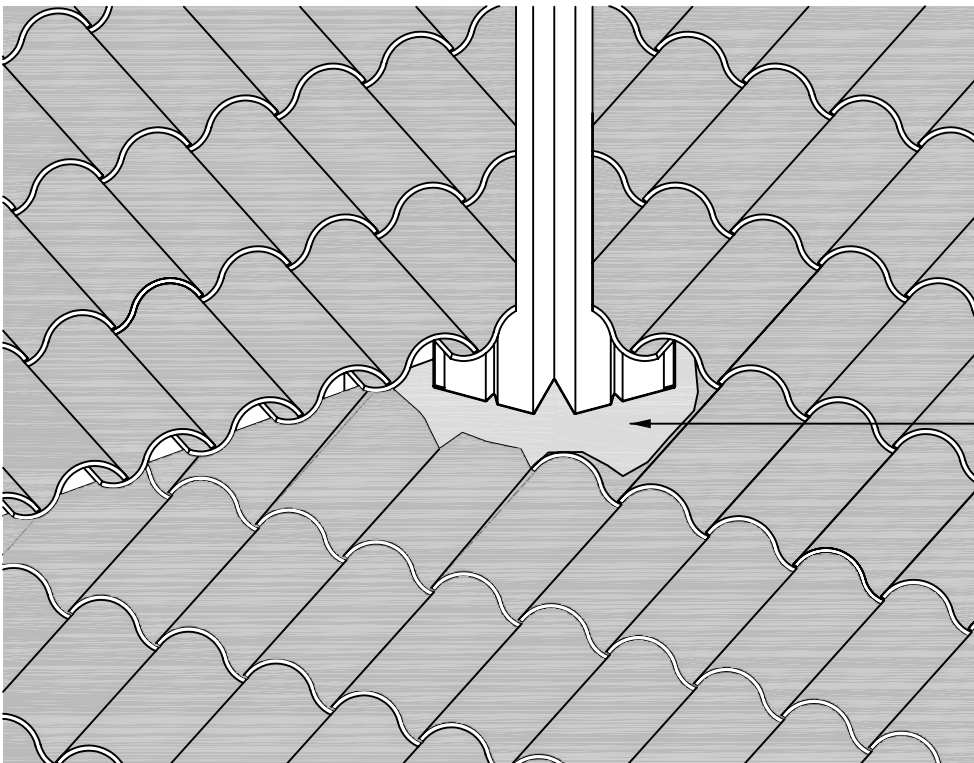


VALLEY TRANSITIONS

MC-17C



THE VALLEY MUST LAP
ONTO THE TILE OF THE
COURSE BELOW THE
ROOF TRANSITION



THE VALLEY MUST LAP
ONTO THE TILE OF THE
COURSE BELOW THE
ROOF TRANSITION

LEAD SOAKER OR OTHER
MALLEABLE METAL SHOULD
BE USED TO FORM A
WATER-TIGHT TRANSITION

Drawing shown depicts the application of all tile profiles. Unless otherwise noted it would apply to either concrete or clay tiles.