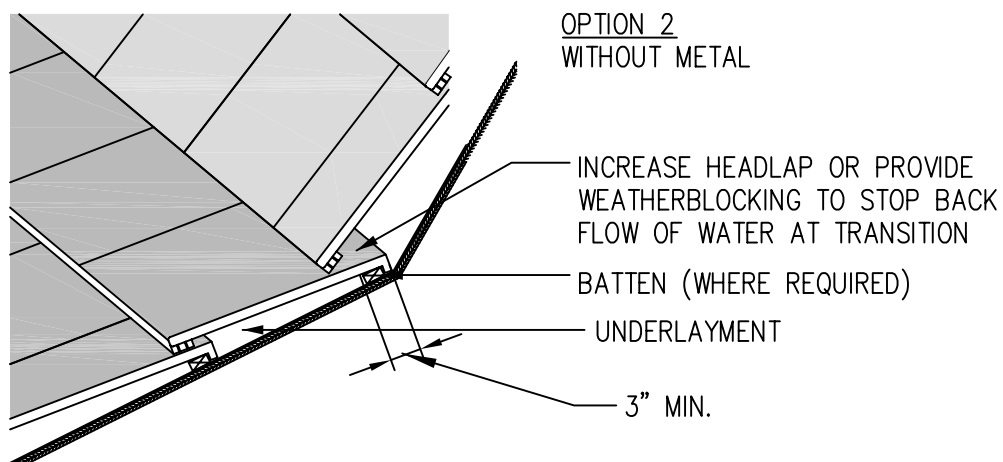
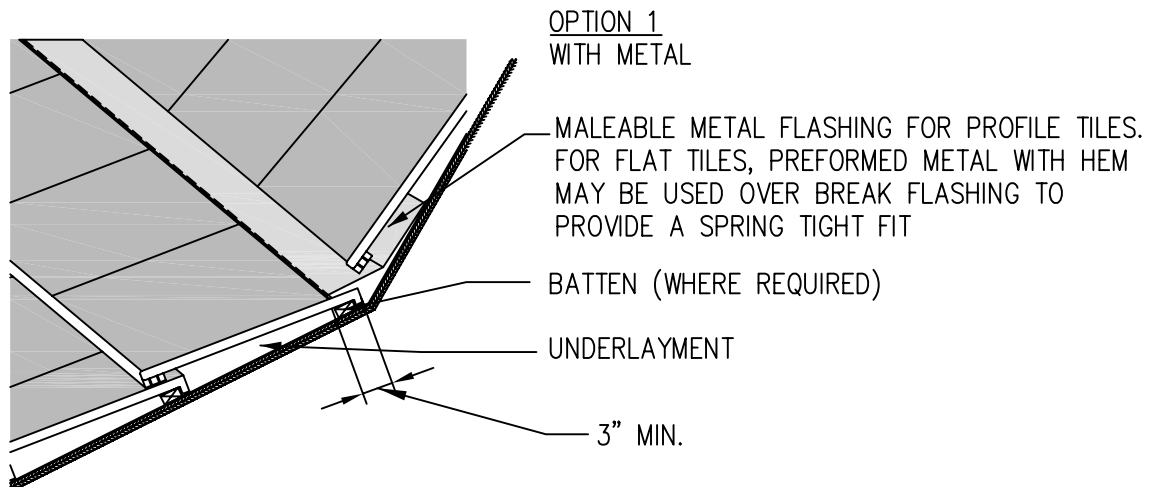
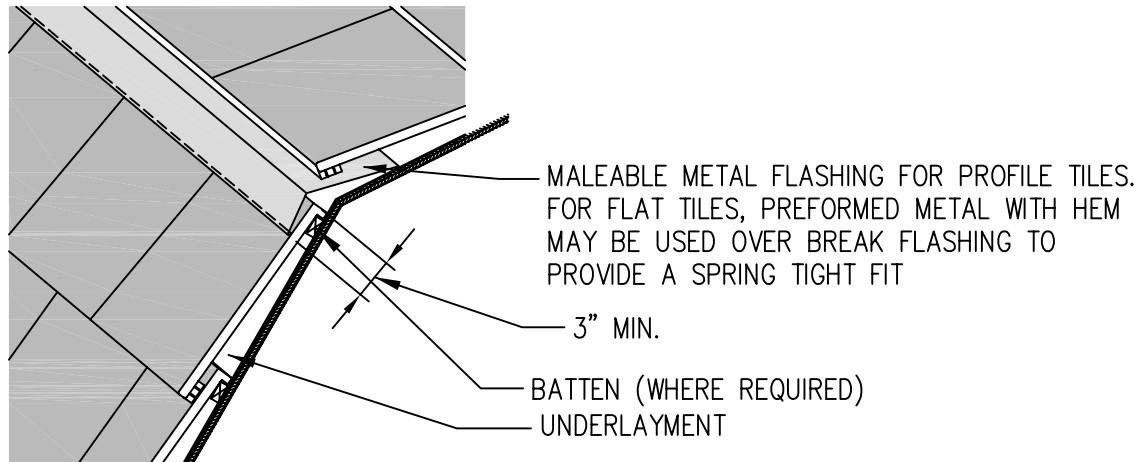


SLOPE CHANGE APPLICATIONS

MC-22



Drawing shown depicts the application of all tile profiles. Unless otherwise noted it would apply to either concrete or clay tiles.