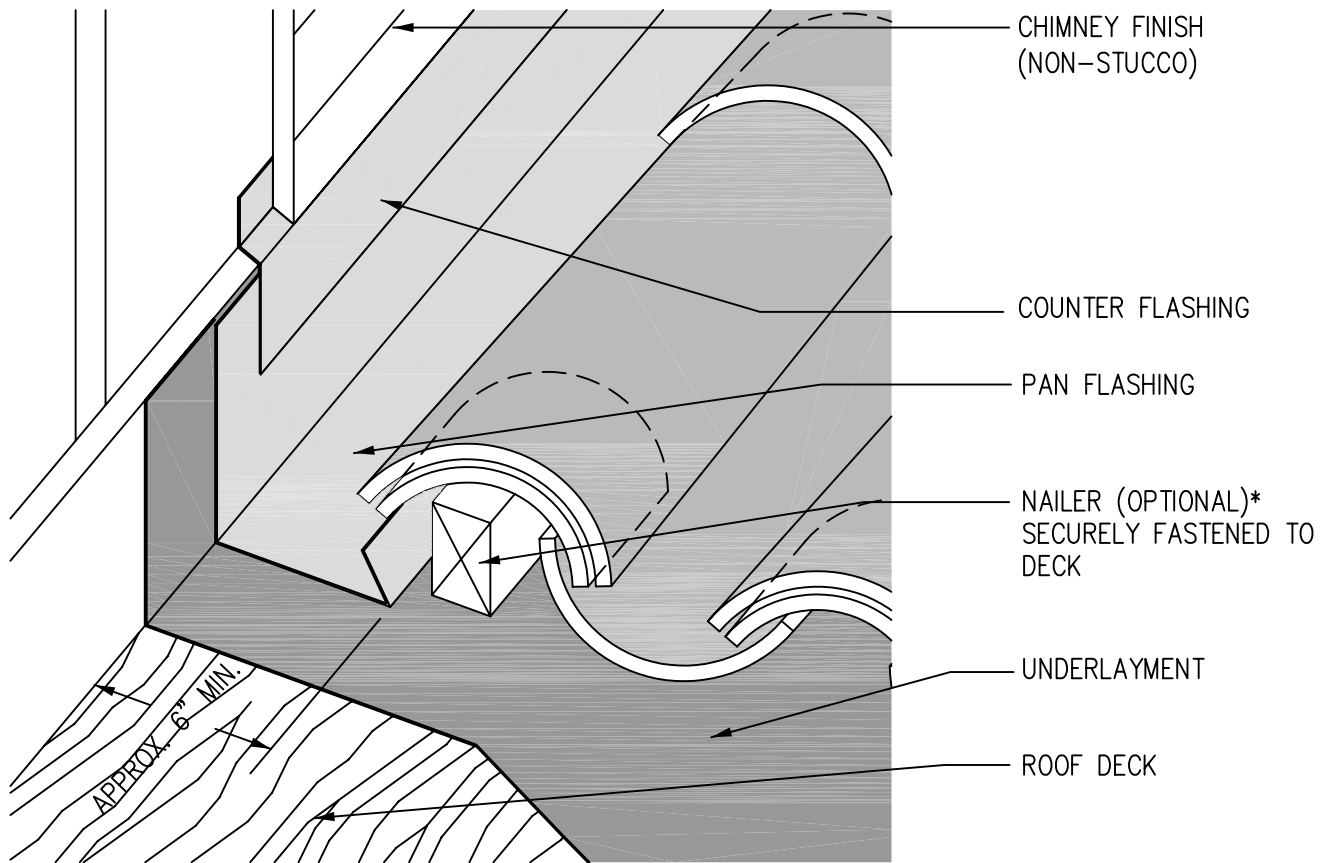


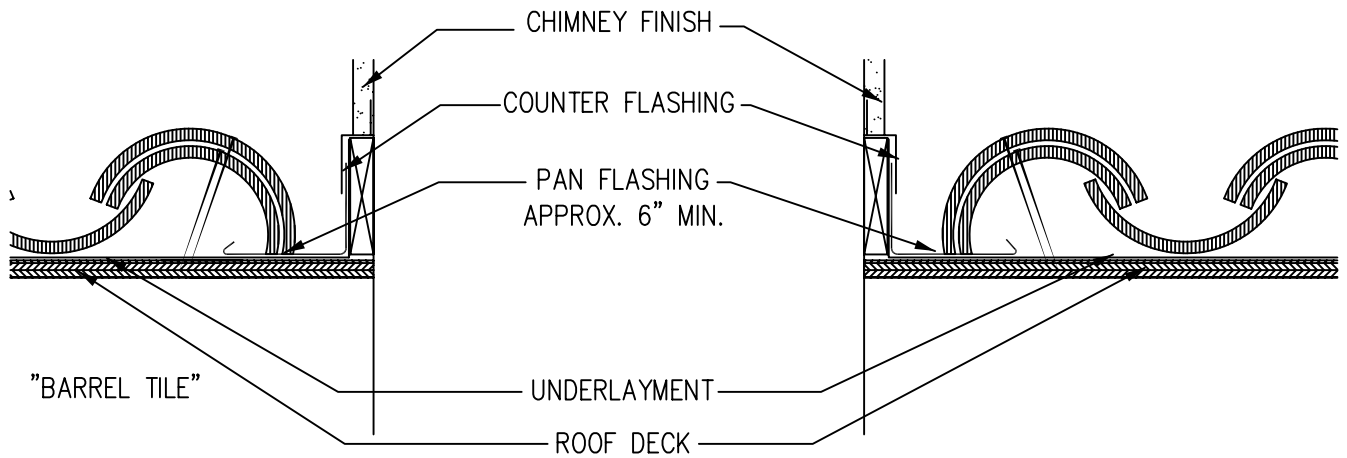
SIDEWALL DETAILS - TWO PIECE CLAY

MC-13A



RIGHT END

*Note: Tiles to be installed in such a fashion as to prevent water diversion of blockage. Nails shall be of sufficient length to penetrate $\frac{3}{4}$ " into, or through the roof sheathing, which ever is less.



Notes:

1. Underlayment should extend a minimum of 4" up vertical wood blocking or wall.
2. See MC-12B for additional flashing details.

Drawing shown depicts the application of all tile profiles. Unless otherwise noted it would apply to either concrete or clay tiles.