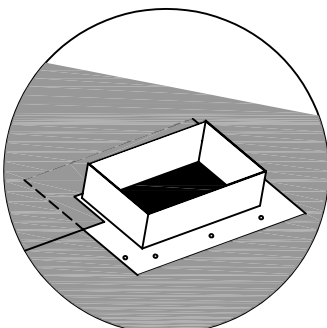
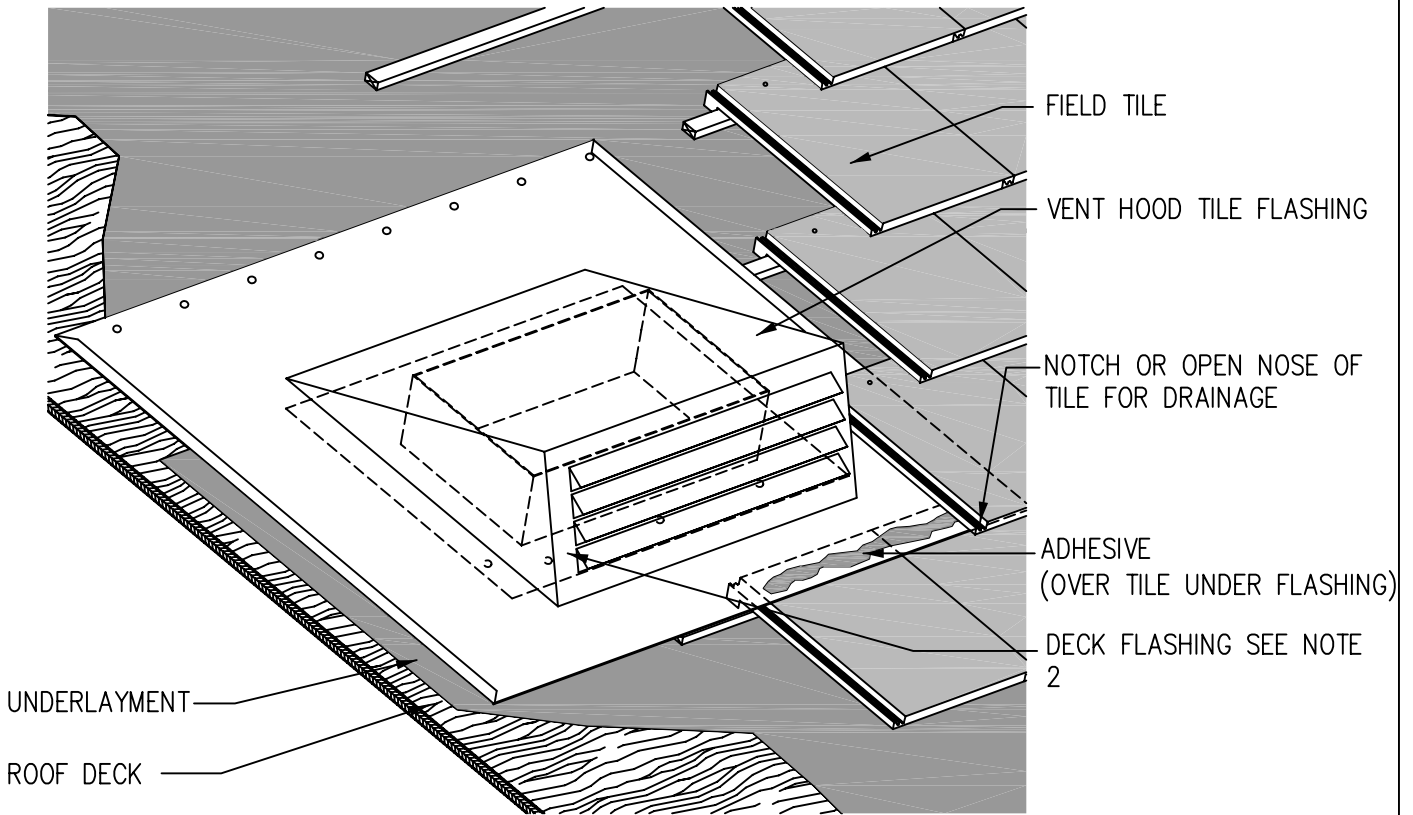


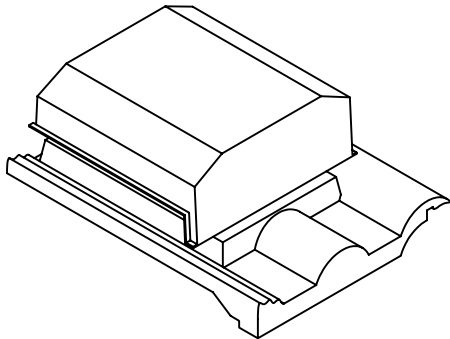
ROOF VENTS (OFF RIDGE)

MC-21



UNDERLAYMENT DETAIL AT DECK FLASHING

HEIGHT OF FLASHING TO BE AT LEAST 1/2"



VENTED TILES AVAILABLE TO MATCH INDIVIDUAL TILE MANUFACTURER PROFILES.

NOTE:
CHECK LOCAL CODE REQUIREMENTS FOR VERMIN SCREENING

Notes:

1. One layer of No. 30 asphalt-saturated felt complying with ASTM D-226 (ASTM D4869 Type IV) or approved equal is required as a minimum underlayment on all tile roof applications. Other underlayments as approved by local building officials will be allowed.
2. A splash diverter is required on the deck around the penetration to prevent moisture intrusion should water reach the underlayment, under the roof tile. Deck flashing is required with all tiles.
3. For climates with wind driven rain or blowing snow, consult local building official for approved application.
4. Seal as required to prevent water intrusion

Drawing shown depicts the application of all tile profiles. Unless otherwise noted it would apply to either concrete or clay tiles.