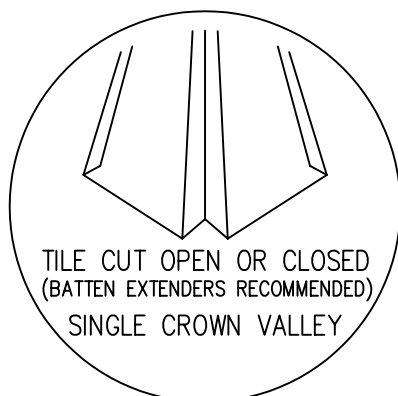
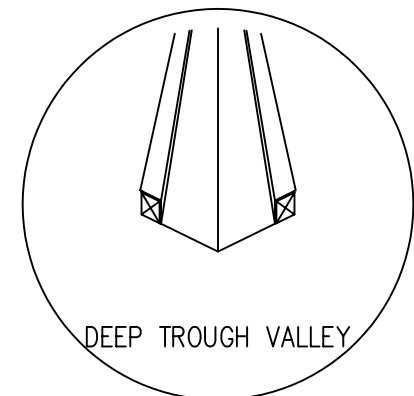
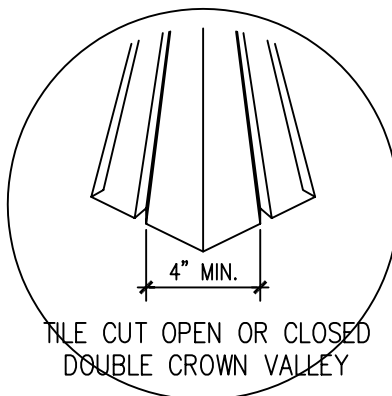
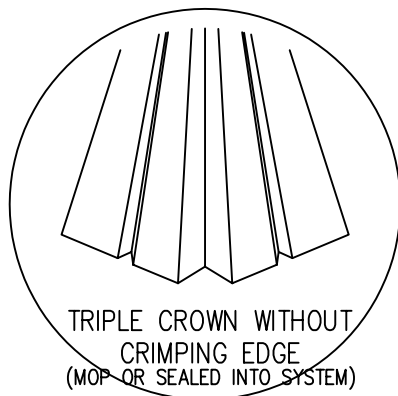
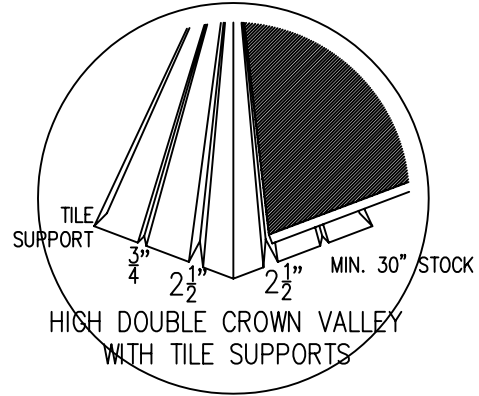
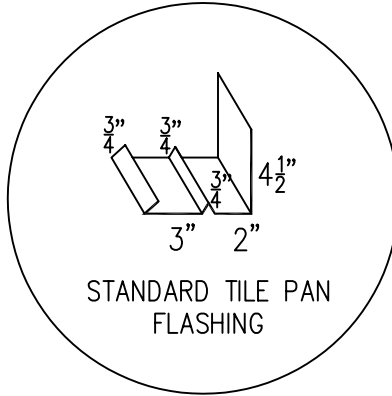
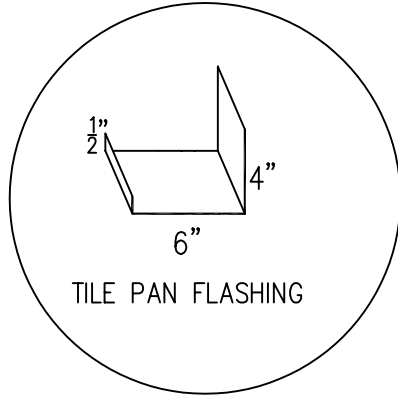
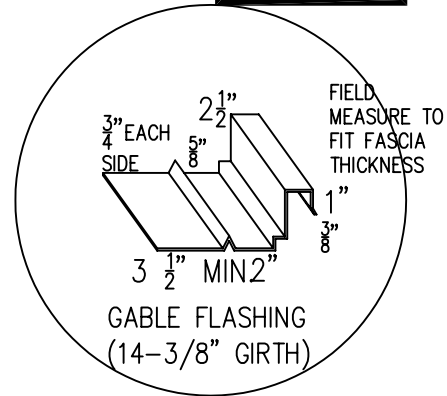
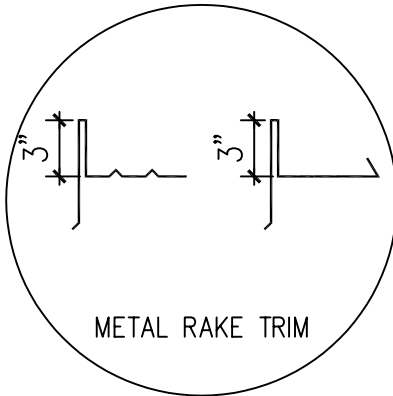
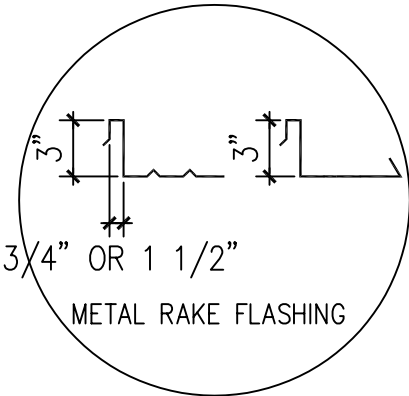


METAL FLASHING OPTIONS

MC-12B



NOTES:

1. These pictures show options that are found in the field at this time; other designs that will handle anticipated water flows may be used upon submissions of supporting data indicating that anticipated water flows are equivalent to the code requirements.
2. Valley metals shall extend 11" each way in compliance with IBC section 1507.3.9, IRC R905.3.8 and UBC section 1508.4 unless approved by the local building official.
3. Tile valleys may be cut closed or open.
4. When flat profiled tile is installed as "Closed Valley" a ribbed valley metal or a single crown valley metal with a batten extender shall be used. Valley metals shall conform to IBC section 1507.3.9, IRC R905.3.8 and UBC section 1508.4.

Drawing shown depicts the application of all tile profiles. Unless otherwise noted it would apply to either concrete or clay tiles.