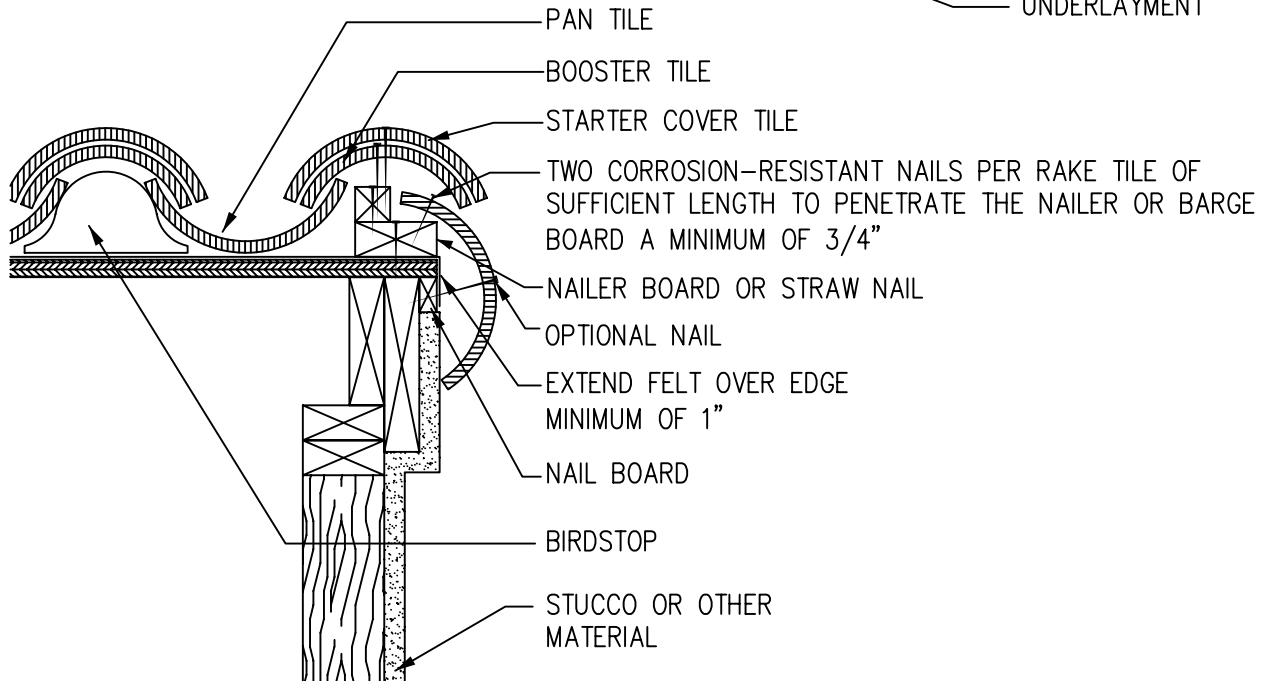
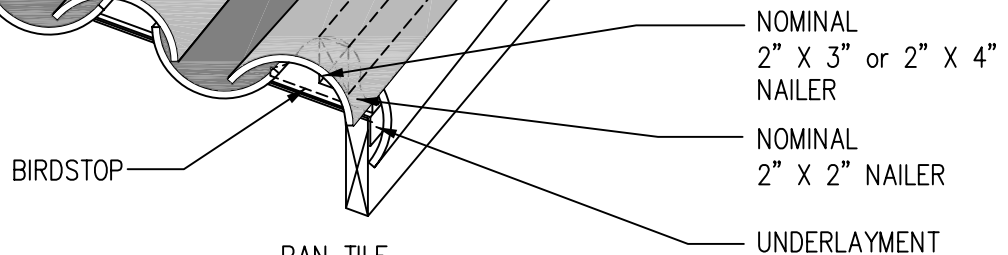
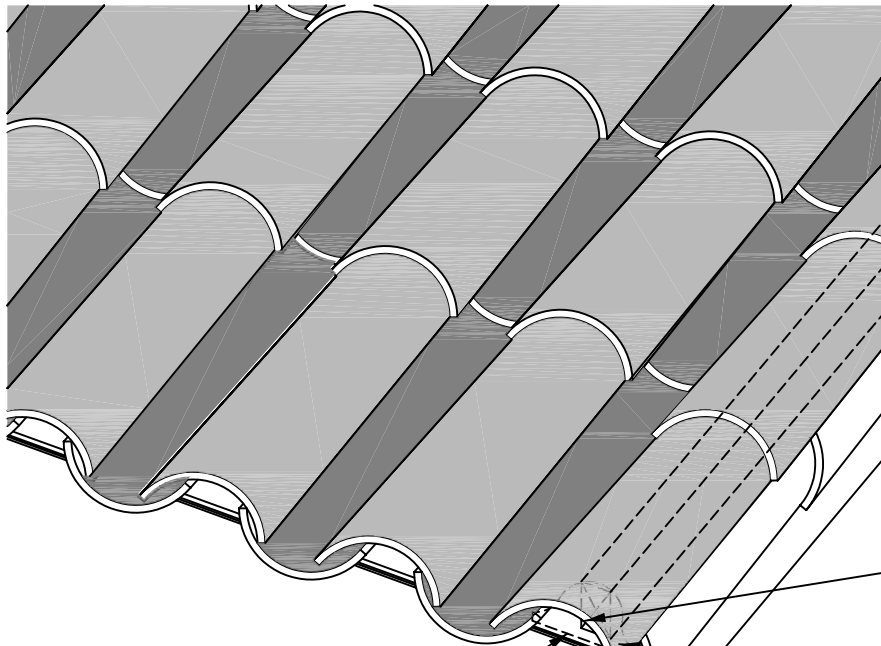


GABLE \ EAVE INSTALLATION - BARREL TILE

MC-20

(CLAY TILE INSTALLATIONS)



Notes:

1. Dimensions shown are minimums and are intended to be approximate to allow for reasonable tolerances due to field conditions.
2. See Footnote 4 Table 1A for additional fastening requirements.
3. The fasteners must penetrate a minimum of 3/4" into dimensional wood lumber.

Drawing shown depicts the application of all tile profiles. Unless otherwise noted it would apply to either concrete or clay tiles.